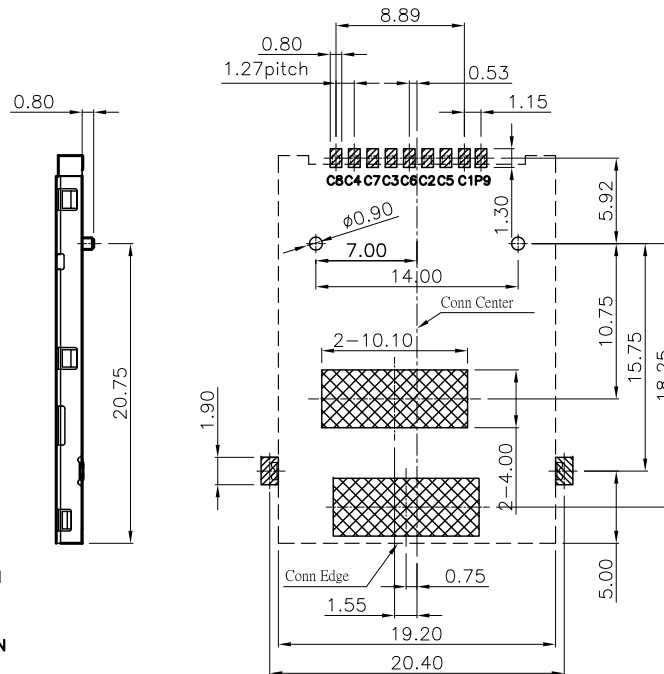
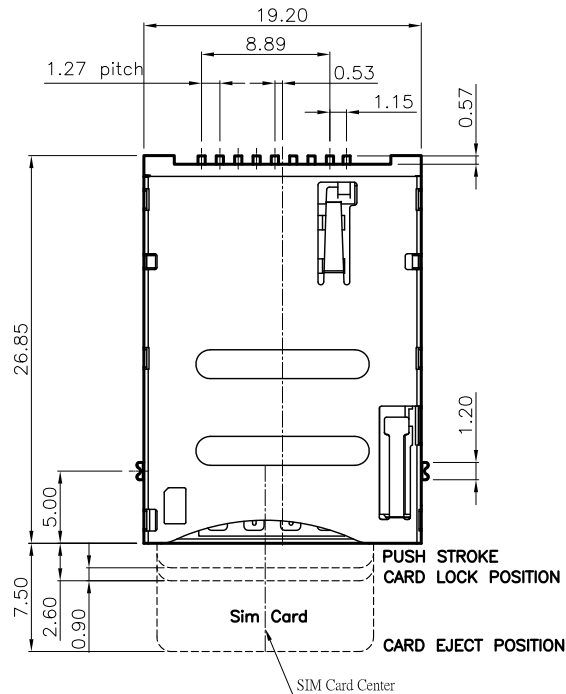


REV.	DESCRIPTION	DATE
A	RELEASE	May 22, 2013



PAD AREA  
 KEEP AREA  
 KEEP OUT AREA

RECOMMEND PCB LAYOUT  
 TOLERANCE:  $\pm 0.05$   
 TOP VIEW

### MATERIALS

- HOUSING : THERMOPLASTIC (UL 94V-0).
- TERMINAL : COPPER ALLOY, PLATING SEE TABLE.
- SHELL : SUS.

### SPECIFICATION

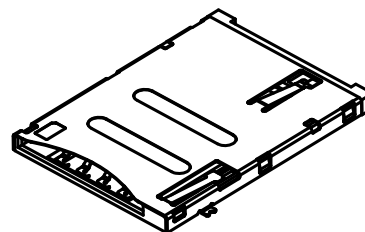
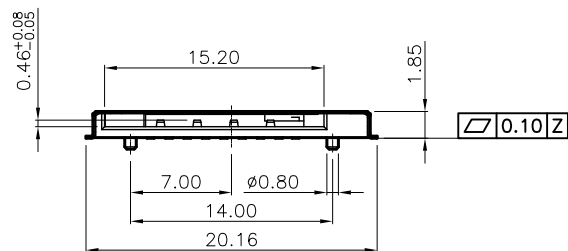
- CURRENT RATING : 1.5 A. MAX.
- DIELECTRIC WITHSTANDING VOLTAGE : 500V AC R.M.S. FOR 1 MINUTE.
- INSULATION RESISTANCE : 100M $\Omega$  MIN. AT 500V DC.
- CONTACT RESISTANCE : 100m $\Omega$  MAX.
- OPERATING TEMPERATURE : -40°C TO +85°C.
- MATING CYCLES : 5000 INSERTIONS.

### PART NUMBER INFORMATION :

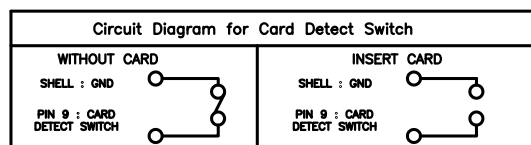
5100108-X1105S-X

SERIES CODE  
 SMT 90°  
 SMI CARD  
 SINGLE TYPE  
 NUMBER OF POSITIONS

R:RoHS  
 H:HALOGEN FREE  
 FOLLOW NUMBER  
 WITH PUSH  
 INSERT TYPE  
 PLATING SEE TABLE



DESCRIPTION OF PLATING ON TERMINALS			
NO.	EXPLAIN	NO.	EXPLAIN
0	GOLD FLASH	3	GOLD 15u"
1	GOLD 5u"	4	GOLD 20u"
2	GOLD 10u"	H	G/F + TIN

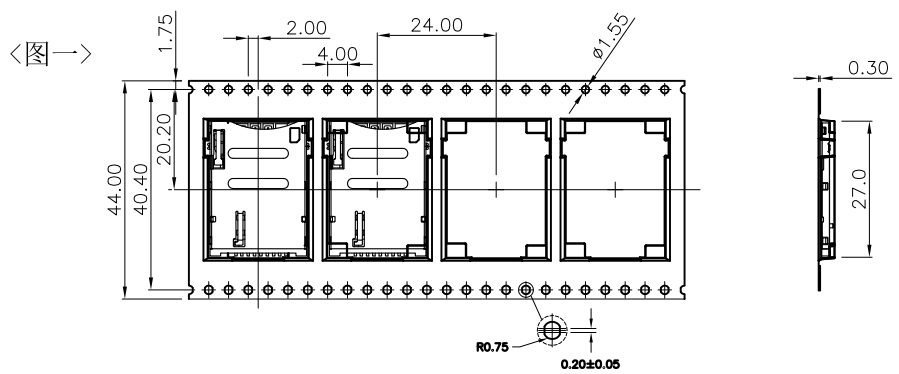


Connector terminal NO.	Pin NO.
Pin 1	VCC:PWR signal and GND
Pin 2	RST:Reset signal
Pin 3	CLK:Clocking signal
Pin 4	Reserved
Pin 5	GND:PWR signal and GND
Pin 6	VPP:Programming Voltage
Pin 7	I/O:Serial data input/output
Pin 8	Reserved
Pin 9	CD:CARD Detect Switch

TOLERANCE	DRAWER
.0= $\pm 0.25$	
.00= $\pm 0.15$	CHECK
.000= $\pm 0.05$	APP'D
ANG.= $\pm 3^\circ$	
UNITS : mm	PRODUCT SPEC.
SCALE NONE	SHEET 1 OF 1
SIZE A6	REV. A

<b>INMO</b>	
东莞市英墨电子有限公司 INMO Electronics Co.,Ltd	
NAME SIM SOCKET 8PIN PUSH PUSH 有侦测PIN 1.85H	
DRAW NO. R5100108-X1105S-X	

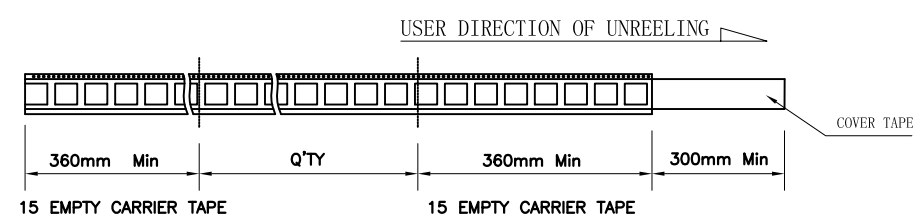
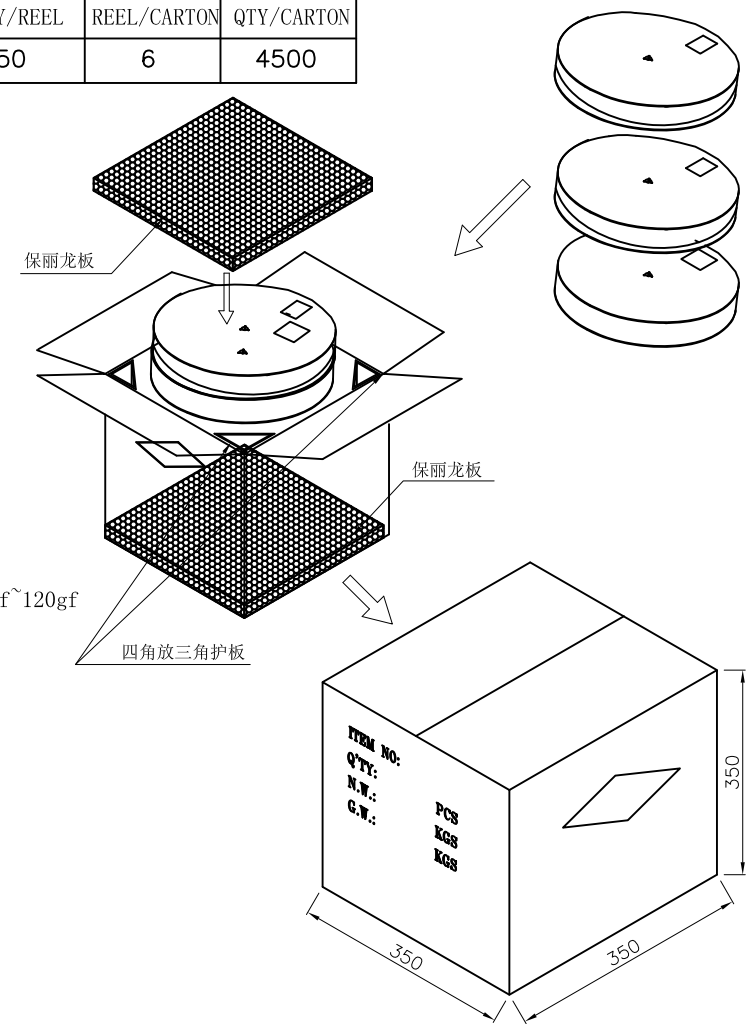
REV.	DESCRIPTION	DATE
A	RELEASE	May 22, 2013



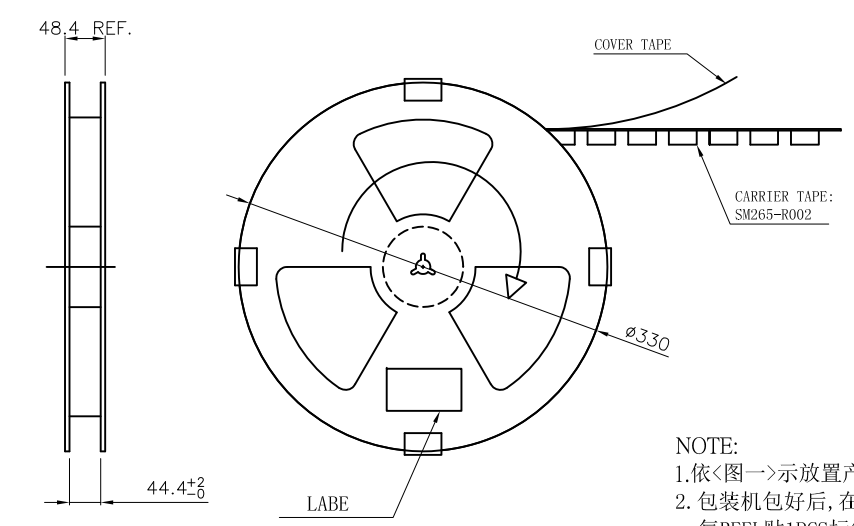
<TABLE 1> PACKAGING QUANTITY

QTY/REEL	REEL/CARTON	QTY/CARTON
750	6	4500

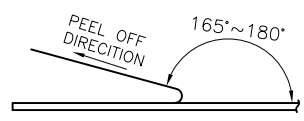
<图三>



<图二>



COVER TAPE PEELING FORCE: 20gf~120gf



NOTE:

- 依<图一>示放置产品于下载中, 每穴放置1PCS产品.
- 包装机包好后, 在REEL的个等分点贴上胶带, 以防止REEL张开, 每REEL贴1PCS标签, 如<图二>示
- 包装数量见如<TABLE 1>示
- 包装成箱见如<图三>示  
箱底放保丽龙板, 再依次将指定数量的卷装产品放入箱内, 四角分别放入四个三角护板, 最上层再放上保丽龙板.
- 封箱, 在封好的纸箱上按客户要求写上料号, 数量等

TOLERANCE .0= $\pm 0.25$ .00= $\pm 0.15$ .000= $\pm 0.05$ ANG.= $\pm 3^{\circ}$		DRAWER 21 CHECK 21 APP'D 21/XX		INMO 东莞市英墨电子有限公司 INMO Electronics Co.,Ltd	
UNITS : mm		PRODUCT SPEC. —		NAME SIM SOCKET 8PIN PUSH PUSH 有侦测PIN 1.85H 包装规范	
SCALE NONE	SIZE A6	SHEET 1 OF 1	REV. A	DRAW NO. R5100108-X1105S-X	